



PARTS BREAKDOWN

HOT WATER PRESSURE WASHER

MODEL:HW4013HC



BEPOWEREQUIPMENT

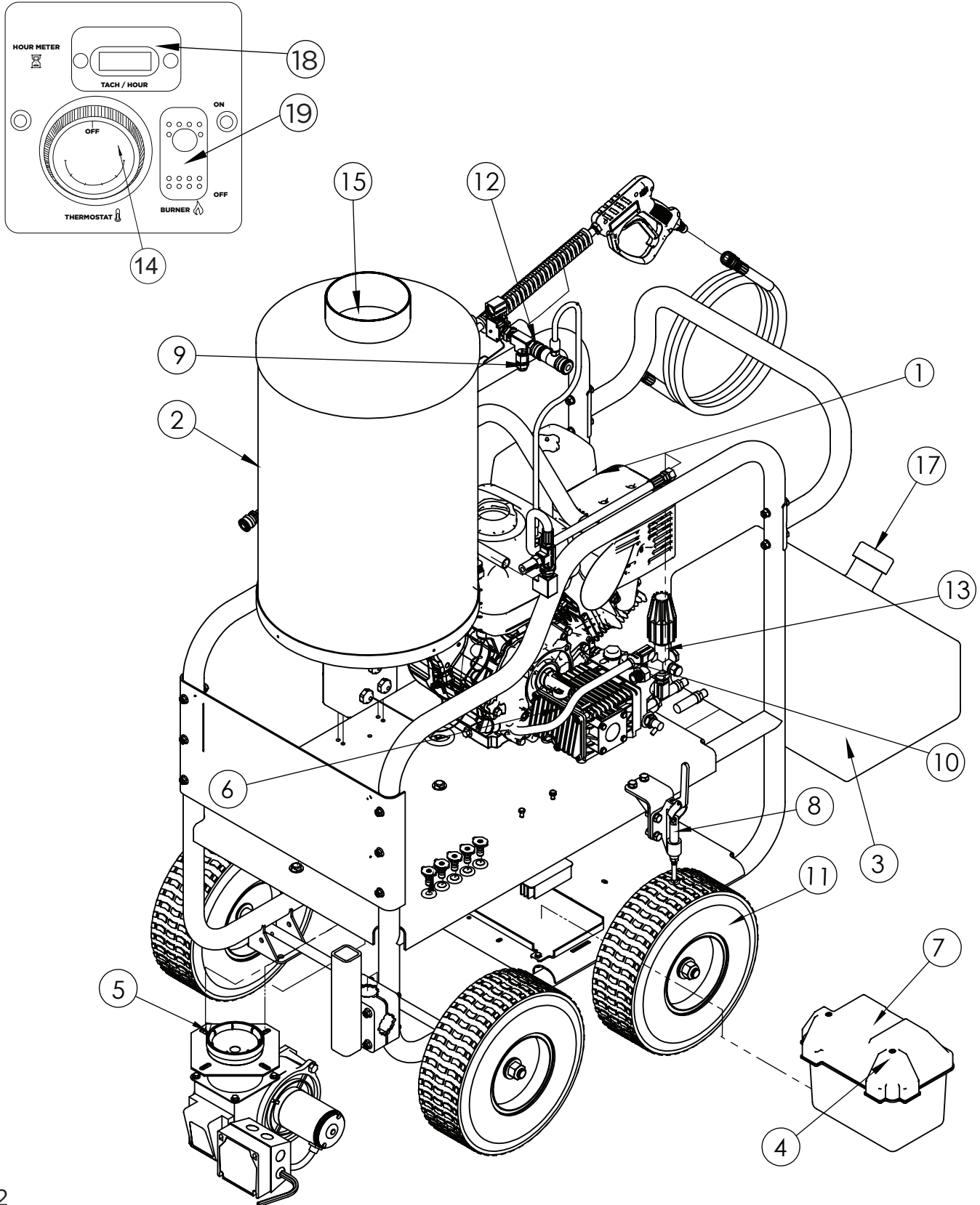
.COM



PARTS BREAKDOWN

HOT WATER PRESSURE WASHER

MODEL:HW4013HC





PARTS BREAKDOWN

HOT WATER PRESSURE WASHER

MODEL:HW4013HC

ITEM	PART NUMBER	DESCRIPTION	QTY.
1	Not for Resale	Honda GX390 Engine	1
2	59.000.100	Hot Water Coil Assy, 4 GPM	1
3	85.601.043	10 Gallon Fuel Tank	1
4	85.603.000	Battery	1
5	59.000.001	Burner Assy With Fuel Pump (Beckett, ADC-12V)	1
6	85.149.022H	Pump Assembly, Comet ZWD4040G	1
7	42.005.053	Battery Box	1
8	85.604.104	Brake Assembly	1
9	59.000.101	Safety Pressure Rupture Disc	1
10	85.300.082	Pressure Switch, 1/4" MNPT	1
11	85.660.050F	Wheel, 13" Flat Free	4
12	85.300.108S	Quick-Connect Coupler, 3/8" MNPT	1
13	AL607	Unloader, VRT3 4500 PSI	1
14	85.400.071	Thermostat (Temp Control)	1
15	59.000.116	Insulation, Bottom	1
	59.000.117	Insulation, Top	1
16	59.000.104	Fuel Filter	1
17	59.000.123	Fuel Cap	1
18	806-109	Tachometer	1
19	59.000.103	Toggle Switch	1
N/S	59.000.102	Low Voltage Inhibitor (LVI)	1
N/S	59.000.104	Diesel inline fuel filter	1

ACCESSORIES			
N/S	85.238.251	50' x 3/8" Double wire braided rubber hose	1
N/S	85.202.109	Hot water rated gun, 5000 PSI	1
N/S	85.202.026	36" Insulated wand	1
N/S	85.210.040H	Spray nozzle set: 0°, 15°, 25°, 40°, Soaper	1



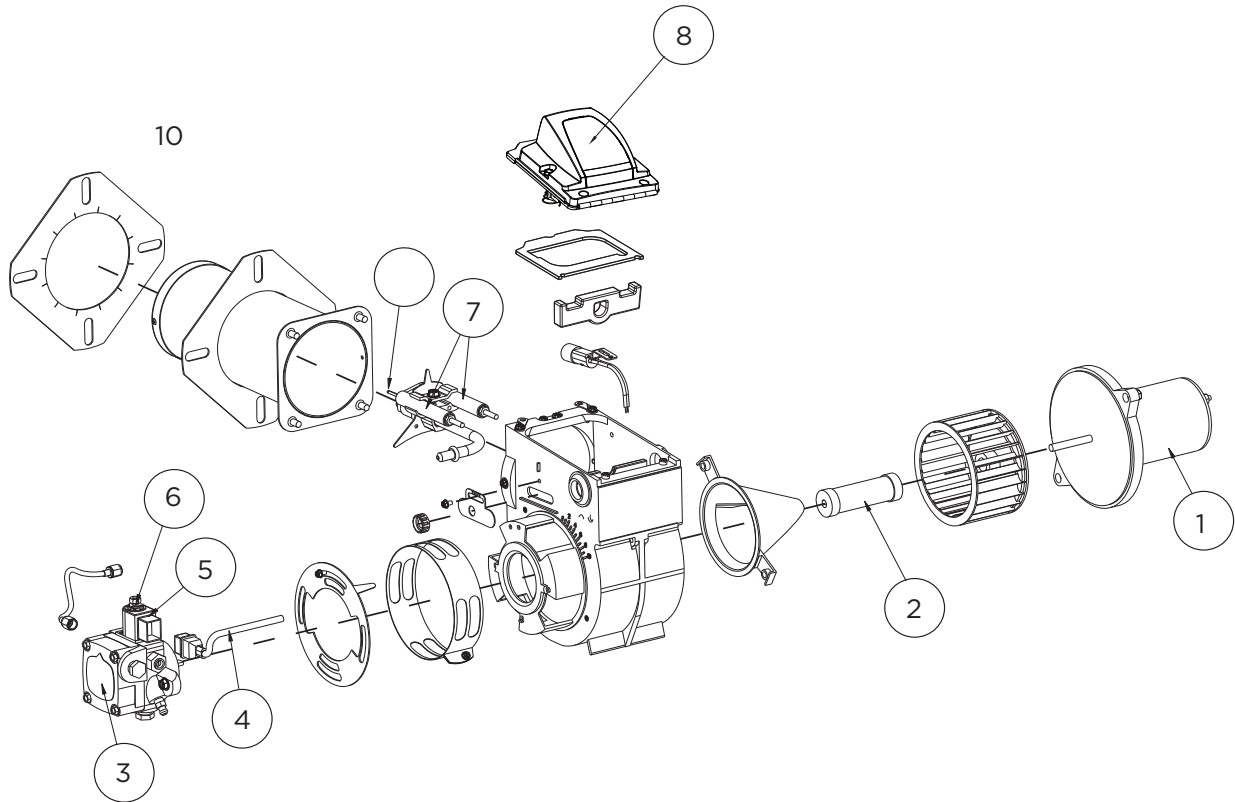
PARTS BREAKDOWN

HOT WATER PRESSURE WASHER

MODEL:HW4013HC

ADC BECKETT BURNER

59.000.001



ITEM #.	PART #.	DESCRIPTION
1	59.110.004	BLOWER MOTOR
2	59.110.005	SHAFT COUPLING
3	59.110.000	FUEL PUMP
4, 5, 6	59.110.001	FUEL SOLENOID
7	59.110.002	ELECTRODE ASSEMBLY
8	59.110.003	IGNITER
9	59.000.002	FUEL NOZZLE
10	59.110.017	GASKET



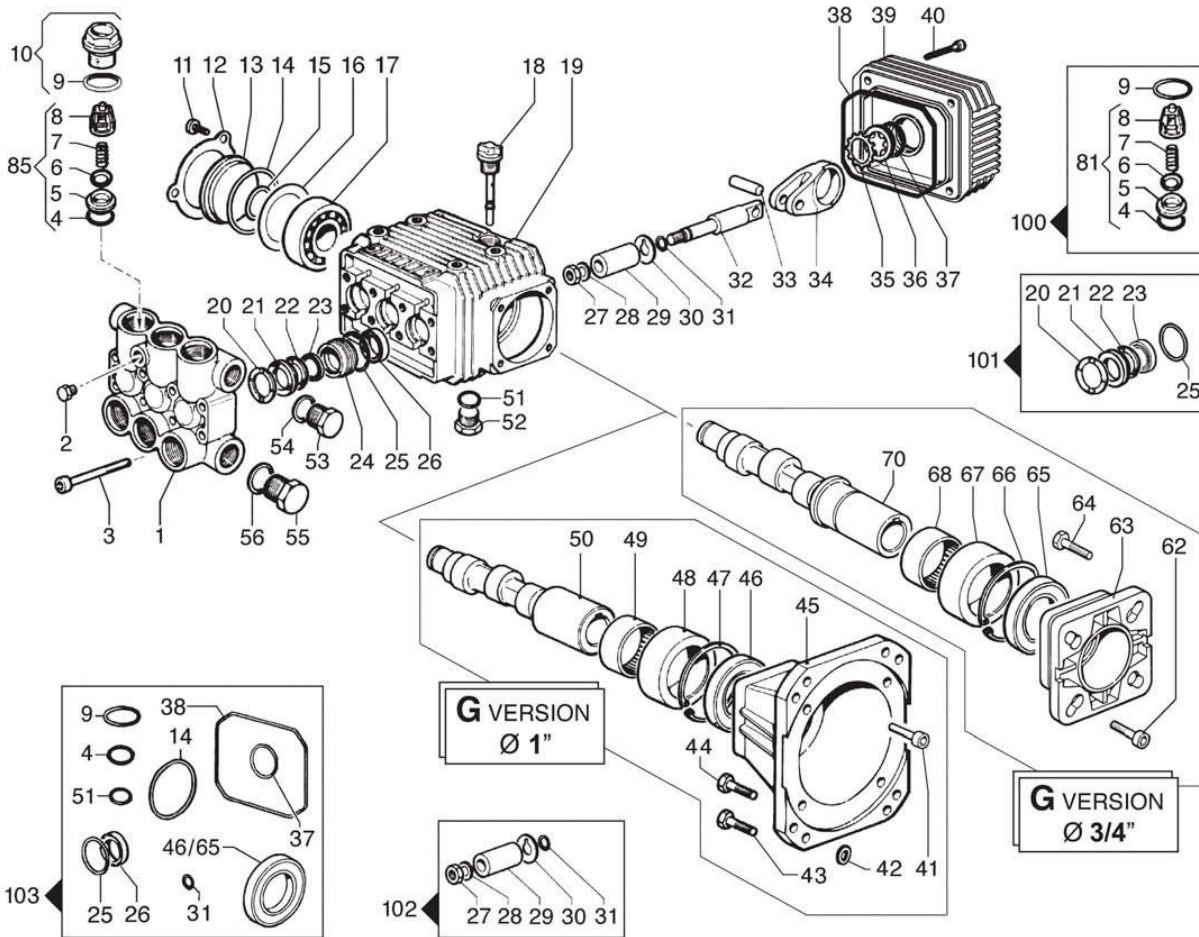
PARTS BREAKDOWN

HOT WATER PRESSURE WASHER

MODEL:HW4013HC

BARE PUMP

85.140.022



N°	Cod.	Descrizione	Description	Note	Q.ty	Model
1	3218 0323	Testata Pompa Ottone	Brass Pump Manifold	Ø15	1	2530 G - 2535 G 3030 G - 3035 G 3530 G - 3535 G 4030 G - 4035 G
	3218 0324	Testata Pompa Ottone	Brass Pump Manifold	Ø15 - 4000 psi	1	3040 G - 3540 G 4040 G
2	3202 0018	Tappo	Plug	G1/8"	1	
3	3609 0014	Vite	Screw	M8x55	8	
4	1210 0046	Guarnizione OR	O-Ring	2,62x17,13	6	
5	3009 0087	Sede Valv. Aspir./Mand.	Suct./Del. Valve Seat		6	
6	3604 0017	Valvola Aspir./Mand.	Suct./Del. Valve		6	
7	1802 0177	Molla	Spring		6	
8	1205 0025	Gabbia Valv. Asp./Mand.	Suct./Del. Valve Cage		6	
9	1210 0048	Guarnizione OR	O-Ring	2,62x20,24	6	
10	3202 0312	Tappo + O-Ring	Plug + O-Ring		6	2530 G - 2535 G 3030 G - 3035 G 3530 G - 3535 G 4030 G - 4035 G
	3202 0315	Tappo + O-Ring	Plug + O-Ring	276 Bar - 4000 psi	6	3040 G - 3540 G 4040 G
11	3609 0088	Vite	Screw	M5x10	3	
12	1004 0012	Flangia Tenuta	Crankcase Flange		1	
13	0402 0329	Coperchio Alluminio	Aluminum Cover		1	
14	1210 0386	Guarnizione OR	O-Ring	3,53x44,04	1	
15	3019 0011	Seeger Esterno	Outer Seeger		1	
16	0009 0275	Distanziale	Spacer	41x51,8x0,5	1	

N°	Cod.	Descrizione	Description	Note	Q.ty	Model
17	0438 0069	Cuscinetto a Sfere	Ball Bearing	20x52x15	1	
18	3200 0051	Asta Livello Olio	Oil Dipstick		1	
19	0403 0141	Carter Pompa	Pump Crankcase		1	
20	0009 0196	Anello Pressione	Packing Head Ring	Ø15	3	
21	1241 0065	Guarnizione Tenuta	Packing	Ø15	3	
22	0009 0223	Anello Posteriore	Back Ring	Ø15	3	
23	1241 0030	Guarnizione Tenuta	Packing	15x22x5,5	3	
24	0009 0222	Anello Portaguarniz.	Packing Retainer	Ø15	3	
25	1210 0223	Guarnizione OR	O-Ring	1,78x26,7	3	
26	0019 0095	Anello Tenuta	Oil Seal	15x24x5	3	
27	0600 0048	Dado Speciale	Special Bolt		3	
28	2811 0080	Rondella	Washer	8,2x14x1,5	3	
29	0202 0020	Bussola Ceramica	Ceramic Bushing	Ø15	3	
30	2812 0038	Rondella	Washer		3	
31	1210 0055	Guarnizione OR	O-Ring	1,78x6,07	3	
32	2409 0044	Pistone Guida	Piston Guides		3	
33	3011 0014	Spinotto	Gudgeon Pin		3	
34	0205 0050	Kit Biella	Con. Rod Assembly		3	
35	3019 0033	Seeger Esterno	Outer Seeger	Ø28 o Ø18?	1	
36	3201 0026	Spia Livello Olio	Oil Indicator		1	
37	1210 0333	Guarnizione OR	O-Ring	1,78x23,52	1	
38	1210 0621	Guarnizione OR	O-Ring	3,0x94	1	
39	0402 0220	Coperchio	Cover		1	
40	3609 0180	Vite	Screw	M6x55	4	
41	3609 0032	Vite	Screw	M6x20	4	
42	2811 0098	Rondella	Washer	10,5x18x2	4	



PARTS BREAKDOWN

HOT WATER PRESSURE WASHER

MODEL:HW4013HC

BARE PUMP (CONTINUED)

85.140.022

N°	Cod.	Descrizione	Description	Note	Qty	Model
43	3607 0119	Vite Testa Esagono	Hexagonal Screw	5/16"24 UNFx1"	4	
44	3607 0168	Vite Testa Esagono	Hexagonal Screw	3/8"16 UNFx1"	4	
45	3016 0023	Flangia	Flange	1"	1	
46	0019 0102	Anello Tenuta Olio	Oil Seal	40x62x7	1	
47	3020 0012	Seeger Interna	Inner Seeger		1	
48	0204 0038	Bussola	Bushing		1	
49	0437 0045	Cuscinetto	Bearing	40x47x16	1	
50	0001 0448	Albero Eccentrico	Eccentric Shaft	1"	1	3030 G - 3035 G 3040 G
	0001 0386	Albero Eccentrico	Eccentric Shaft	1"	1	3530 G - 3535 G 3540 G
	0001 0449	Albero Eccentrico	Eccentric Shaft	1"	1	4030 G - 4035 G 4040 G
51	1210 0441	Guarnizione OR	O-Ring	2x14	1	
52	3200 0007	Tappo	Cap	3/8 GAS	1	
53	3200 0007	Tappo	Cap	3/8 GAS	1	
54	2811 0084	Randella	Washer	1,6,7x2,2x1,5	1	
55	3202 0015	Tappo	Cap	G1/2" QT	1	
56	2811 0086	Randella	Washer	2,1,2x2,7x1,5	1	

N°	Cod.	Descrizione	Description	Note	Qty	Model
62	3609 0032	Vite	Screw	M 6x20	4	
63	3016 0012	Flangia	Flange	SAE J 609 A	1	
64	3607 0199	Vite Testa Esagonale	Hexagonal Screw	5/16"24 UNFx1"	4	
65	0019 0102	Anello Tenuta Olio	Oil Seal	40x62x7	1	
66	3020 0012	Seeger Interna	Inner Seeger		1	
67	0204 0038	Bussola	Bushing		1	
68	0437 0045	Cuscinetto	Bearing	40x47x16	1	
70	0001 0399	Albero Femmina	Hollow Shaft	Ø 3/4"	1	2530 G - 2535 G
70	0001 0561	Albero Femmina	Hollow Shaft	Ø 3/4"	1	3035 G
85	1220 0030	Gruppo Valv. Asp./Mand.	Suct./Del. Valve Assy kit		6	

Kit Ricambi

Spare Parts Kit

N°	Cod.	Descrizione	Description	Note	Qty	Model
100	5025 0011	Kit Valvole	Valve Kit		1	
101	5019 0064	Kit Guarnizioni Acqua	Water Seal Kit		1	
102	2409 0071	Kit Pistone	Piston Kit	Ø15	1	
103	5019 0065	Kit Guarnizioni Olio	Oil Seal Kit		1	

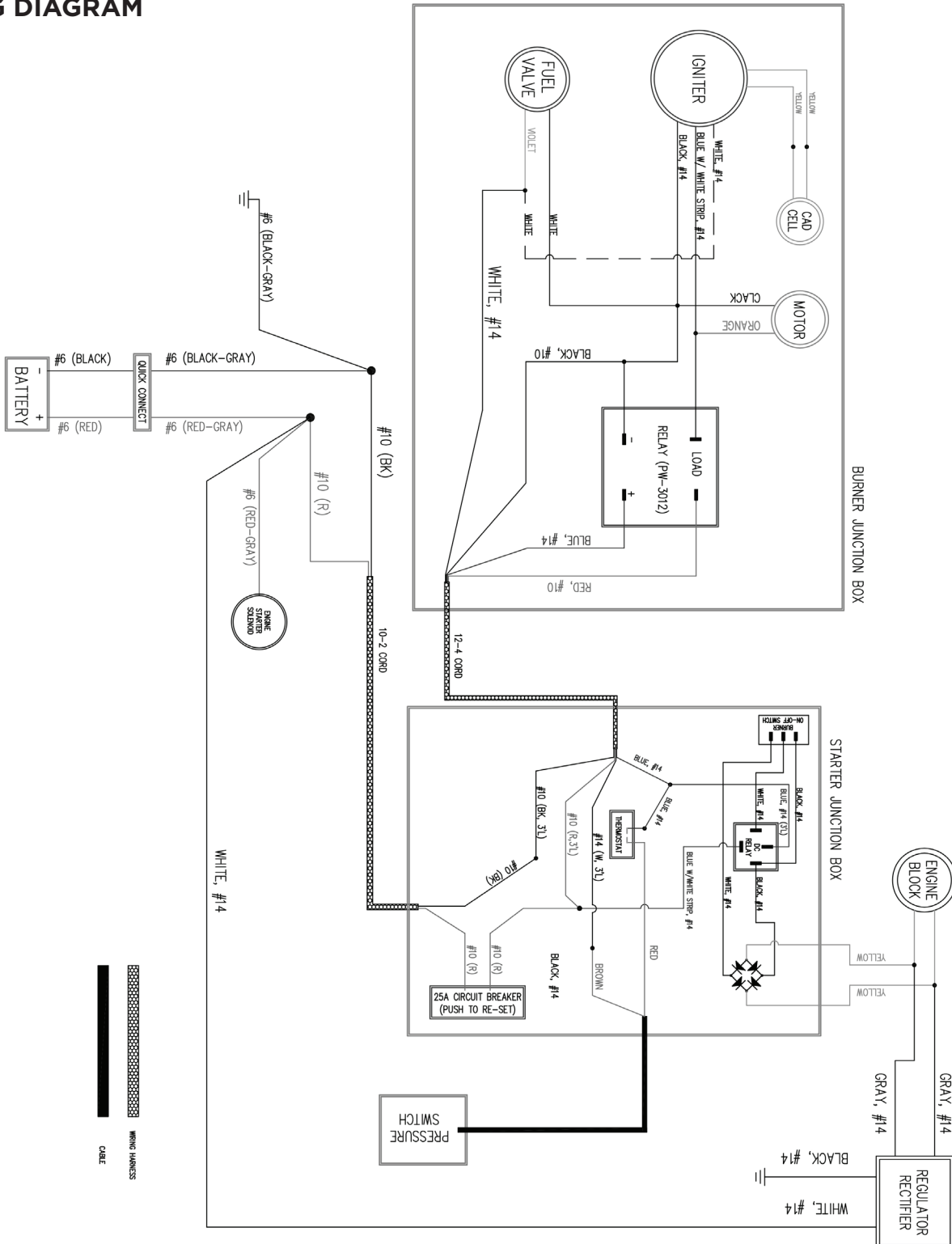


PARTS BREAKDOWN

HOT WATER PRESSURE WASHER

MODEL:HW4013HC

WIRING DIAGRAM



BE

POWER EQUIPMENT

If you need technical assistance call:

1-866-850-6662

(8:00am - 4:30pm PST, Mon - Fri)